

[Home](#) ■ [Оборудование](#) ■ [Обработка осадка](#) ■ [Обезвоживание](#) ■
[HUBER пресс для обезвоживания осадка Q-PRESS®](#)

[HUBER пресс для обезвоживания осадка Q-PRESS®](#)



Cost-effective sludge dewatering for independence in sludge disposal

The Q-PRESS® is a screw press with a conical screw shaft and cylindrical sieves consisting of three treatment zones: inlet and drive zone, three-part thickening and dewatering zone, and press zone with pneumatic counter-pressure cone.

In the first part of the thickening and dewatering zone the supernatant is quickly removed by the feed pump via a large free filter surface at a low primary pressure. A pressure probe in the feed area controls the primary pressure thus ensuring a constantly high filtrate quality.

In the second part of the screen the volume of material between the screw flights is reduced by the conical screw and the sludge pressed against the inner screen surface so that the sludge is dewatered, with a continuous reduction of the filter cake thickness. The screen apertures are much smaller in this screen section.

In the third part of the screen the residual water is pressed out of the sludge, at a minimum filter cake thickness, by the pneumatic counterpressure cone at the press discharge. The dewatered sludge is pushed by the conveying screw past the pressure cone into the discharge chamber. The sludge residence time in the screw press and thus the filtration time can be adjusted to individual requirements by adjusting the rotational speed of the screw shaft.

[преимущества](#)

ADVANTAGES OF THE HUBER SCREW PRESS Q-PRESS®

- Insensitive to coarse material due to the wide gap between the screw conveyor and sieve
- No permanent sieve cleaning required, low wash water consumption
- Pneumatically controlled pressure cone system
- Defined sludge residence time
- Permanent movement of filter cake, minimized filter resistances
- Minimum wear due to the low speed of the compacting screw
- Minimized noise
- Low energy consumption
- High dewatering degrees with fibrous sludge

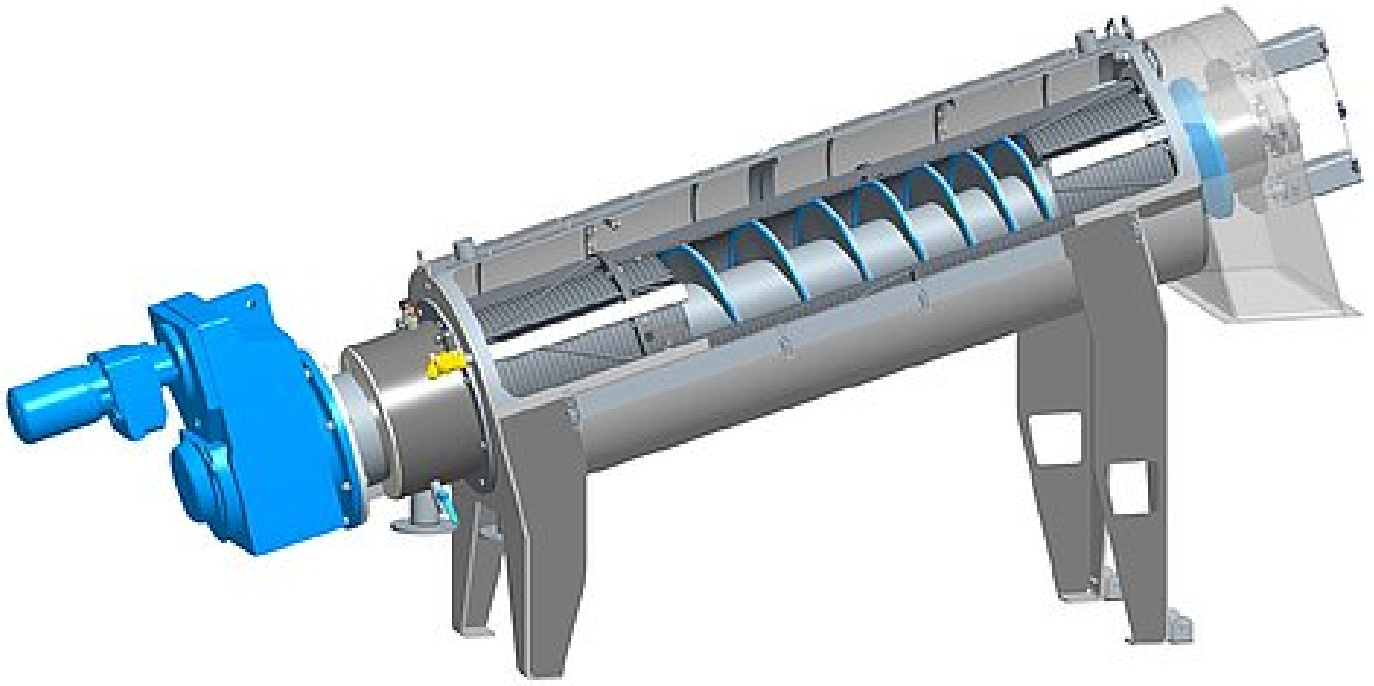
PDF скачать

 [проспект: Шнековый пресс для обезвоживания осадка HUBER Q-PRESS® \[pdf, 765 KB\]](#)

примеры из практики

- [Up to 80 percent savings: HUBER Screw Press Q-PRESS® minimises electricity costs for sludge dewatering](#)
- [HUBER Screw Press Q-PRESS® with world premieres at STP Sargans](#)
- [HUBER Screw Press Q-PRESS® in operation at a disposal company](#)
- [Sludge dewatering in a confectionery at Mondelez, Marlbrook](#)
- [Sludge dewatering with the HUBER Screw Press Q-PRESS®](#)
- [Dynamic inline mixer for optimized sludge dewatering](#)
- [From thin sludge to dry granulate – all from one source](#)
- [HUBER sludge dewatering solution for new wastewater treatment plant in a dairy industry](#)
- [New HUBER Screw Press Q-PRESS® 620.2 for sludge dewatering: operational experience on STP Bad Orb](#)
- [Q-PRESS® – The new HUBER Screw Press](#)
- [HUBER flotation plant and screw press are a great help with the apple harvest in Serbia](#)
- [Cost-efficient, low wear: HUBER ROTAMAT® Screw Press RoS 3Q in Finland](#)
- [Romanos Hotel - Greece](#)
- [HUBER supplies machines for faecal sludge treatment on the Faroe Islands](#)
- [Further increase in performance for sludge dewatering: HUBER Screw Press Q-PRESS® with increased throughput capacity and new control mode](#)
- [HUBER complete solution: sludge treatment plant at Šumperk WWTP officially inaugurated](#)
- [Rent wastewater technology from HUBER instead of buying – the solution for temporary bottlenecks and fast implementation](#)
- [HUBER Plant Technology for rent – the smart solution for industry and municipalities](#)

СХЕМА

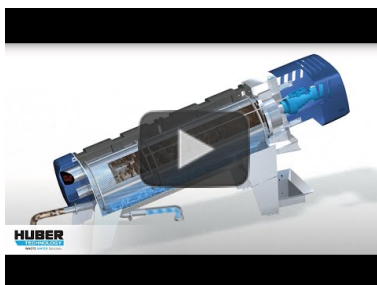


Huber - Sludge Dewatering

Media



Animation: HUBER Sludge



Animation: Function and



Animation: Function and

Dewatering

<https://www.youtube.com/watch?v=2bE1Kb5FApc>



Video: HUBER Screw Press Q-PRESS@ - here at a municipal WWTP

<https://www.youtube.com/watch?v=5VsPNKbkJyA>

components of new HUBER Screw Press Q-PRESS@ 620, 800

<https://www.youtube.com/watch?v=t1dSGJYtCk>



Video HUBER Screw Press Q-PRESS@ - here in beverage industry

<https://www.youtube.com/watch?v=T5sOUqy-zxk>

components of HUBER Screw Press Q-PRESS@ 440

https://www.youtube.com/watch?v=n_mnNdQsaCo

другое оборудование серии Обезвоживание

- [HUBER Шнековый пресс для обезвоживания осадка S-PRESS](#)
- [HUBER Ленточный пресс для обезвоживания осадка B-PRESS](#)



Генеральный директор: Железнов Алексей Игоревич

Адрес: пр-кт Андропова 18, к. 6 · 115432 Москва · Россия · Телефон: +7 499 6830048 · Факс: +7 499 6830048
www.huber-technology.ru · www.huber.de · E-mail: huber@mail.ru · info@huber-technology.ru

Банк ЗАО «ЮниКредит Банк» г. Москва · Расчетный счет: 40702810900010660385 · БИК: 044525545
Корресп. счёт: 30101810300000000545

