

[Home](#) ■ [Оборудование](#) ■ [Тонкая мех.очистка / фильтрация](#) ■ [Установки тонкой фильтрации](#) ■  
[HUBER Фильтрующий барабан RoMesh®](#)

## HUBER Фильтрующий барабан RoMesh®



Ultra fine Rotary Drum Screen with two-dimensional effect for very fine particulate material

- Removal of hairs, fibres and fine suspended material
- Service water and wash water treatment
- Defined separation size
- COD and BOD removal in river or sea outfall applications
- Protection of membrane filtration plants

### Applications

- **Separation of hairs, fibres and suspended material from municipal and industrial wastewaters**

Preliminary separation of fine material is very important for Membrane Bioreactors, amongst other technologies, since such fine material can not only impair the plant's performance, but also cause major operational problems.

- **Reduction of COD/BOD<sub>5</sub> in river and sea outfalls**

Where river and sea outfalls have only a mechanical treatment stage, it is important to reduce the oxygen-consuming loads in the wastewater to avoid eutrophication of the receiving water. The RoMesh® Screen is able to reduce BOD<sub>5</sub> by 20% and filterable solids (AFS) by 50% and thus can meet the required discharge standard. Even better performance can be achieved with prior precipitation and flocculation.

## преимущества

### The benefits of the RoMesh® Screen

- The square mesh provides a defined separation size
- Low headloss
- Mechanical COD/BOD reduction by up to 30 %
- Filterable solids (AFS) reduction by up to 60 %
- Optional periodic high pressure cleaning (120 bar)
- Addition of precipitants and flocculants reduces AFS up to 95%, COD/BOD up to 65%, phosphorus up to 60%.
- Enclosed, compact design
- Very high hydraulic throughput

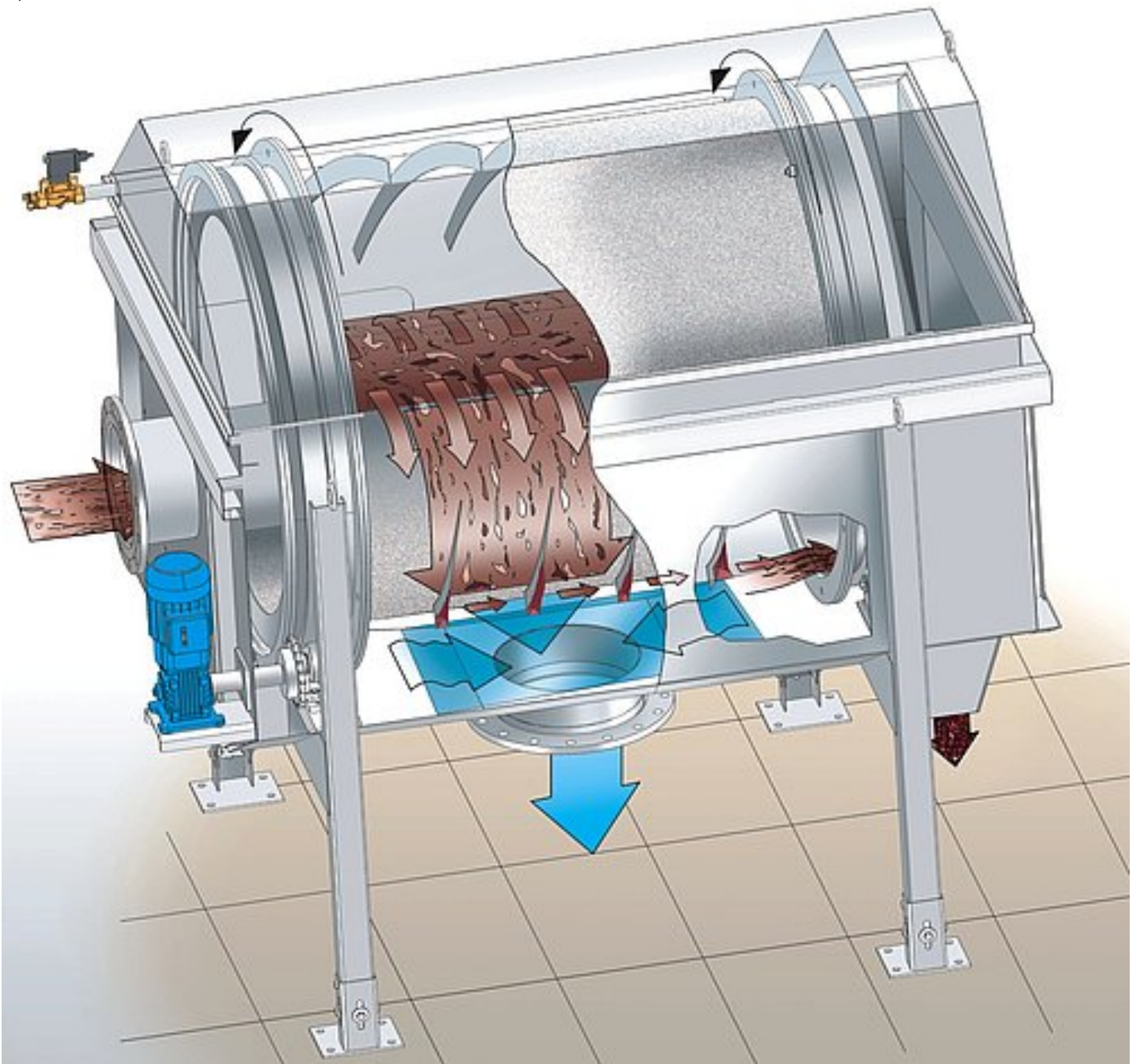
## PDF скачать

 [проспект: Фильтрующий барабан для тонкой мех. очистки HUBER ROTAMAT® RoMesh®](#) [pdf, 613 KB]

## примеры из практики

- [HUBER applications in poultry slaughterhouse Süddeutsche Truthahn AG](#)
- [New plant in Switzerland for innovative sewer grit treatment with process water recycling](#)

## схема



## Media





Video: HUBER Drum Screen  
RoMesh®

[https://www.youtube.com/watch?  
v=nNstEvZA-24](https://www.youtube.com/watch?v=nNstEvZA-24)

## другое оборудование серии Установки тонкой фильтрации

- HUBER Барабанное сито ROTAMAT® RoMem
- HUBER Drum Screen LIQUID
- HUBER Самопромывной дисковый фильтр RoDisc®



Генеральный директор: Железнов Алексей Игоревич

Адрес: пр-кт Андропова 18, к. 6 · 115432 Москва · Россия · Телефон: +7 499 6830048 · Факс: +7 499 6830048  
www.huber-technology.ru · www.huber.de · E-mail: huber@mail.ru · info@huber-technology.ru

Банк ЗАО «ЮниКредит Банк» г. Москва · Расчетный счет: 40702810900010660385 · БИК: 044525545  
Корресп. счёт: 30101810300000000545

